

DRAGON POWERGT43M

MOBILE GENSET



DRAGONPRODUCTS.COM



PARTS | MANUFACTURING | SERVICE >> WE'VE GOT YOU COVERED.

DRAGON PARTS HOTLINE >> 1.888.801.7778 | TOLL FREE >> 800.231.8198



Powered by
VERICOR

COMPACT FOOTPRINT

- Mobile, remote sites
- Small footprint, tight spaces
- Low noise, urban ready
Bridge legal for transport

MINIMUM SETUP

- Direct cantilever mount/drive, no alignment required
- Quick start-up/shut-down, accurate & quick load/speed control
- High efficiency at variable loads and combined cycles (CHP)

APPLICATIONS

- Oil & Gas Fields: Drilling, E-Frac, Production Facilities
- Back-up Power, Disaster Relief
- Stand-alone Microgrids
- Urban Power Applications

FUEL FLEXIBILITY

- Low emissions, flexibility in remote areas, no operation interruption
- Natural Gas, CNG, LNG, Biogas or diesel

BENEFITS

- Electric power generation and CHP
- Reliability and dependability with longest lifecycle
- Lowest OPEX, quickest payback, effective financial value
- Low maintenance, tough road conditions transportable

DRAGON POWERGT43M FEATURES



TURBINE GEN MODULE

- Fully enclosed acoustic enclosure rated 85 dBA
- Direct mount drive train requires no site alignment
- Integrated air filtration system



VERICOR ASE50B GT

- Fast start, cold or hot with no start lockout period
- Compact modular design simplifies engine repair and exchange



GENERATOR

- 13.8kV, 60Hz, 4834 kVA 0.8 PF, Class F/B
- Air cooled IP23/IC01
- Synchronous Gen
- Other frequencies and voltages available



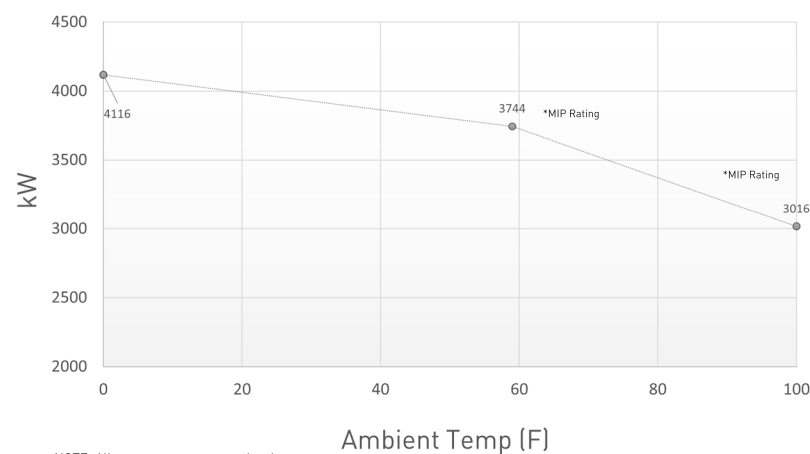
CONTROL MODULE

- Turbine-Gen control & protection system
- Fire and gas detection system
- HV Switchgear
- Motor control center
- HVAC system

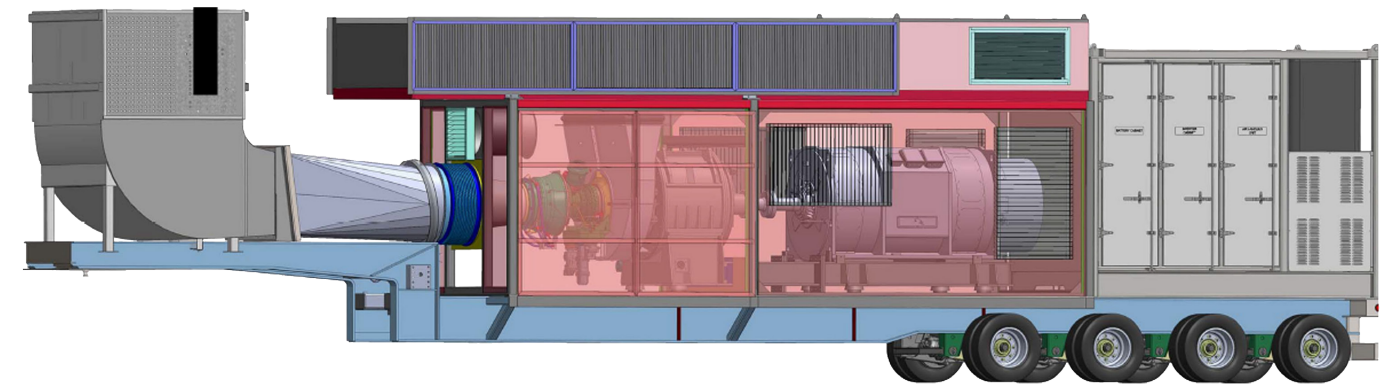
PEAK ISO PERFORMANCE

Elevation (ft)	0
Ambient Temp (F)	59
Generator Peak Output (kWe)	3744
Generator Peak Output (kVA)	4834
Voltage/Freq./Phase	13.8kV/60Hz/3pH
Fuel Flow (lb/hr)	2180
Fuel Flow (mmscfd)	1.054
Generator Heatrate (BTU/kWh)	11963

Peak Generator Output Power



NOTE: All measurements at sea level



TRAILER DIMENSIONS

Length	53'
Height	13' - 6"
Width	9'

